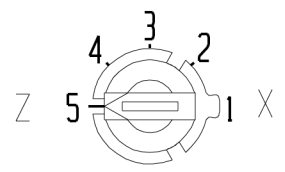
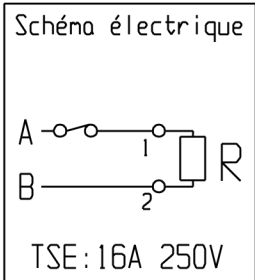
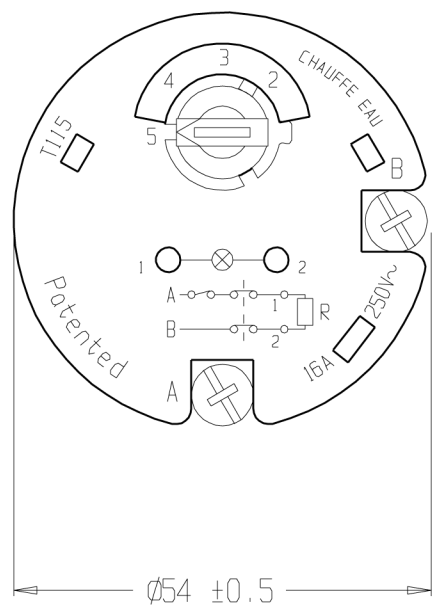
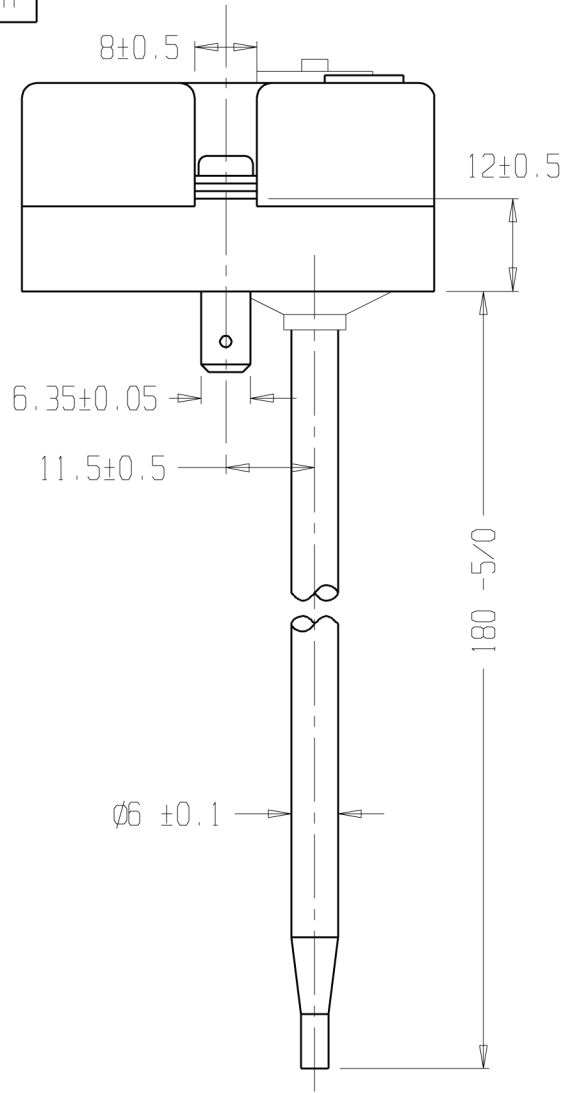
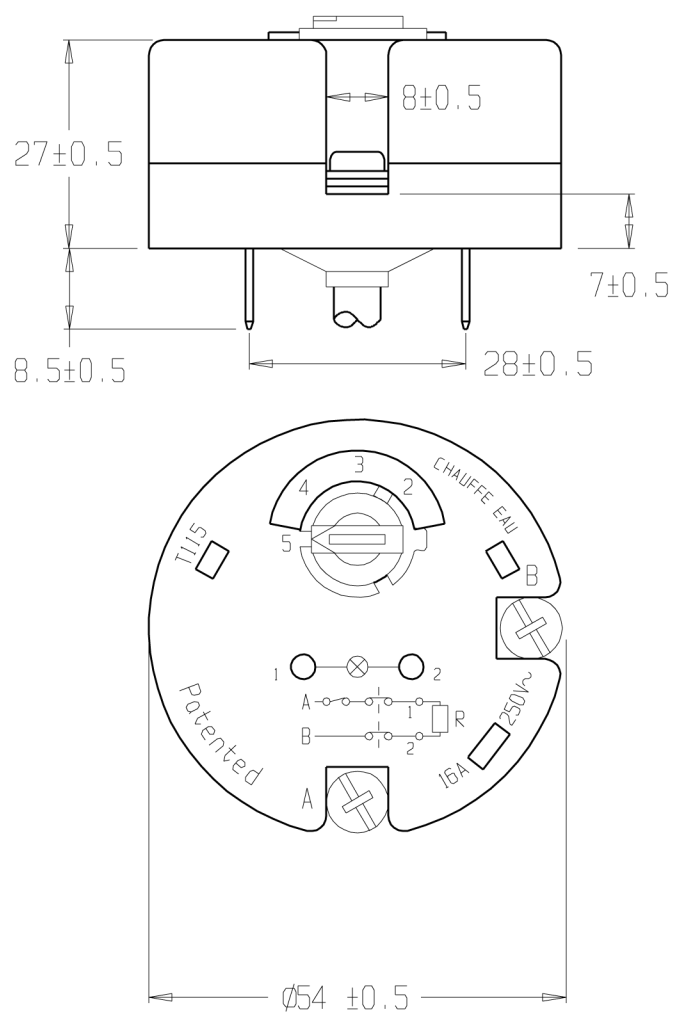


COLOR: Brown



preset in position: Z

	Angular pos / BB	Régulation °C	Diff °C
X	1	≈ 40	
Y			
Z	5	120 maxi	Approx 15

REF	MODIFICATION	N° :	DATE	VISA	APPROVED	VISA
-----	DESIGNATION					
Scale: 1:1	SINGLE POLE THERMOSTAT					
Drawed:	By:	CUSTOMER			<h1>3021</h1>	
Approved:	By:					