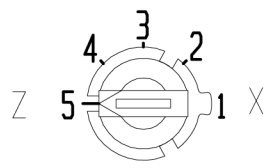
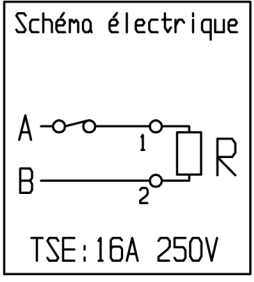
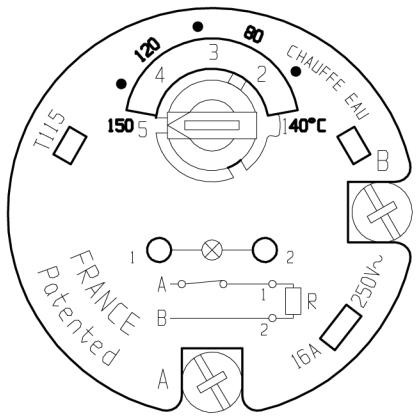
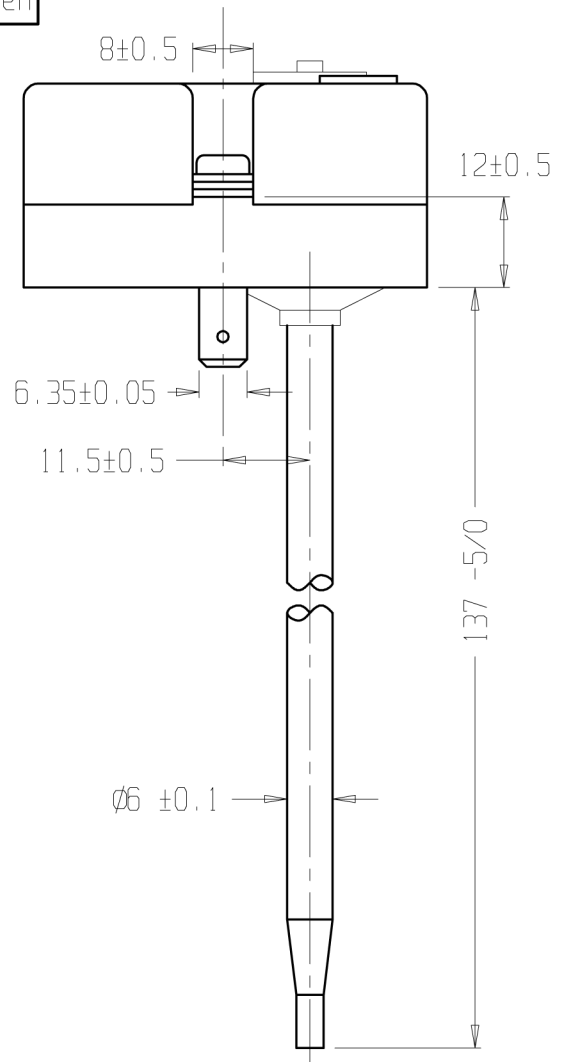
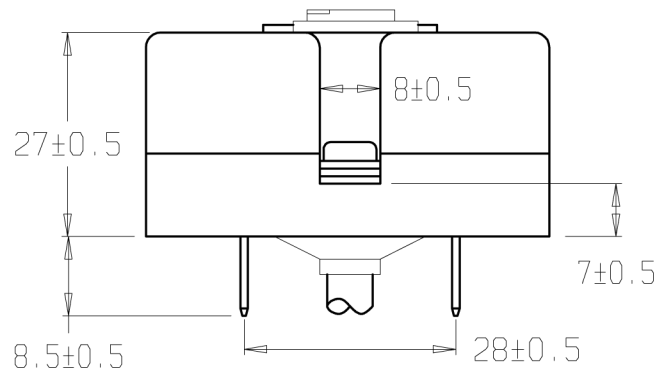


COLOR: blue/green



preset in position: Z

	Angular pos / BB	Régulation °C	Diff °C
X	1	40 ± 5	Approx 15
Y			
Z	5	150 ± 15	Approx 15

REF	MODIFICATION	N° :	DATE	VISA	APPROVED	VISA
-----	DESIGNATION					
Scale: 1:1	SINGLE POLE THERMOSTAT					
Drawn:	By:	CUSTOMER			3026	
Approved:	By:					