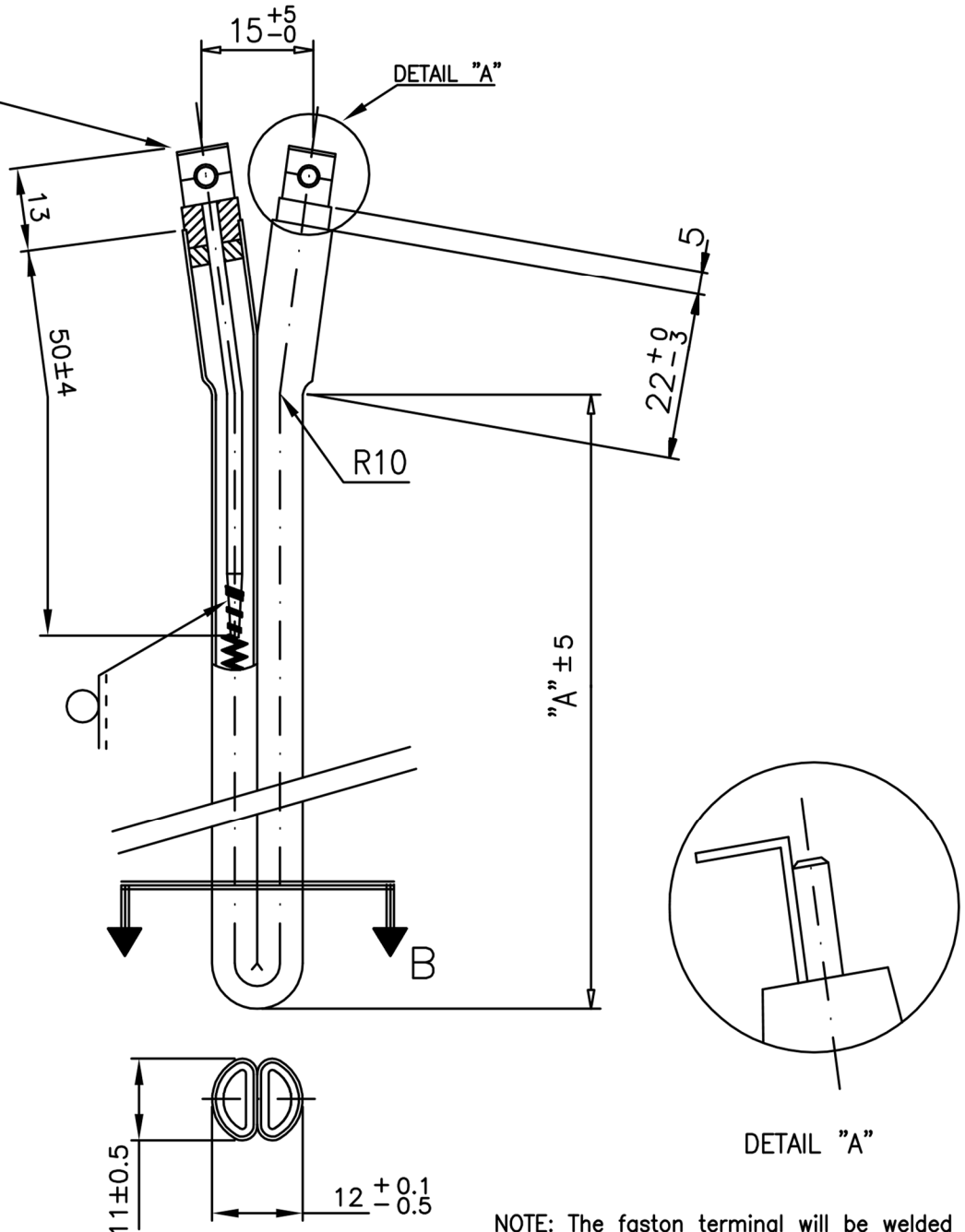


FASTON TERMINALS  
AT 90°(NICKELED)  
(TFM/63-90/B-376)



NOTE: The power measurement will be made in cold.

NOTE: The faston terminal will be welded  
steck to the ceramic seal.

Ceramic seal: silicone

Heating element seal: G116

NOTE: The heating element is shown in its mounted position.

Heating element must fit into same interior diameter and length tube

REFERENCE	282019 CCP	282019 CNA	282019 CCK	282019 CCN
POWER	1000W	1200W	800W	900W
VOLTAGE (V)	230	230	230	230
TOLERANCE (W)	+5% -7%	+5% -7%	+5% -7%	+5% -7%
LOAD (W/cm <sup>2</sup> )	5,1	6,1	5,2	4,7
HEATING WIRE QUALITIES	Ni/Cr80/20	Ni/Cr80/20	Ni/Cr80/20	Ni/Cr80/20
MATERIAL (mm)	AISI-321	AISI-321	AISI-321	AISI-321
COLOUR CERAMIC	WHITE	GREEN	WHITE	RED
MEASUREMENT "A"	400	400	325	395
INACTIVE ZONE	2x50	2x50	2x50	2x50
REVISION	11	02	12	11



3802

EDITION	DRAWN	REVISED	DATE
	Sergio		13/11/02
A) Updated.	K.Arnal		22/11/04

SCALE

HEATING ELEMENTS