

	Angular Pos / BB	Regulation °C	Diff. °C
X	0	≈ -5	
Y			
Z	270	210 ±7	Approx 7

Submerged cap. length = 50 mm

Terminals 6.3 x 0.8 mm

Bulb St/St

Capillary St/St

Capil. length 1000 ±25 mm

No of spirals Standard

Øf diameter 20/25 mm

Sleeving 50 ±25 mm

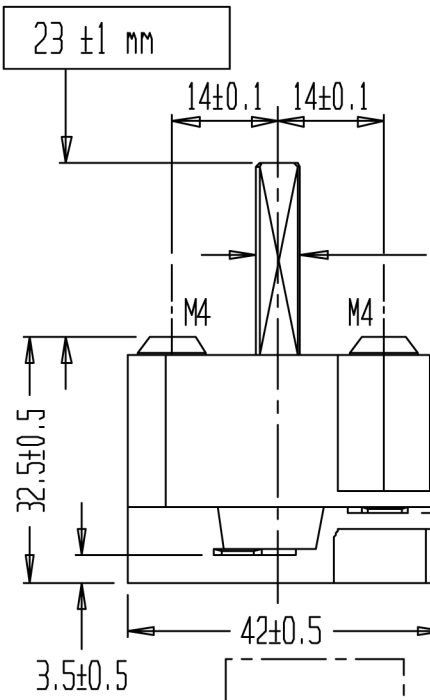
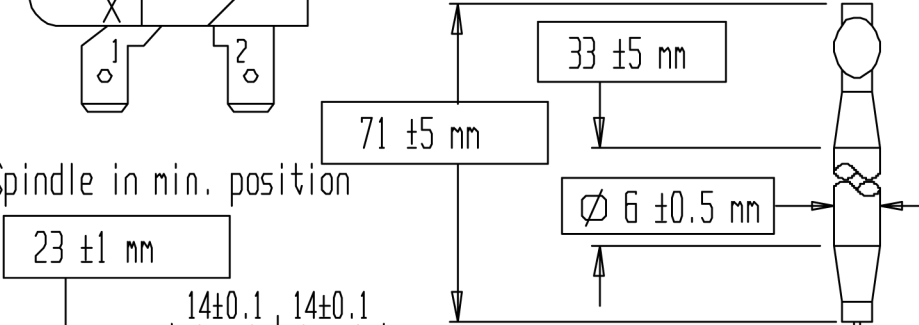
PTFE

Maxi bulb temp. 256°C

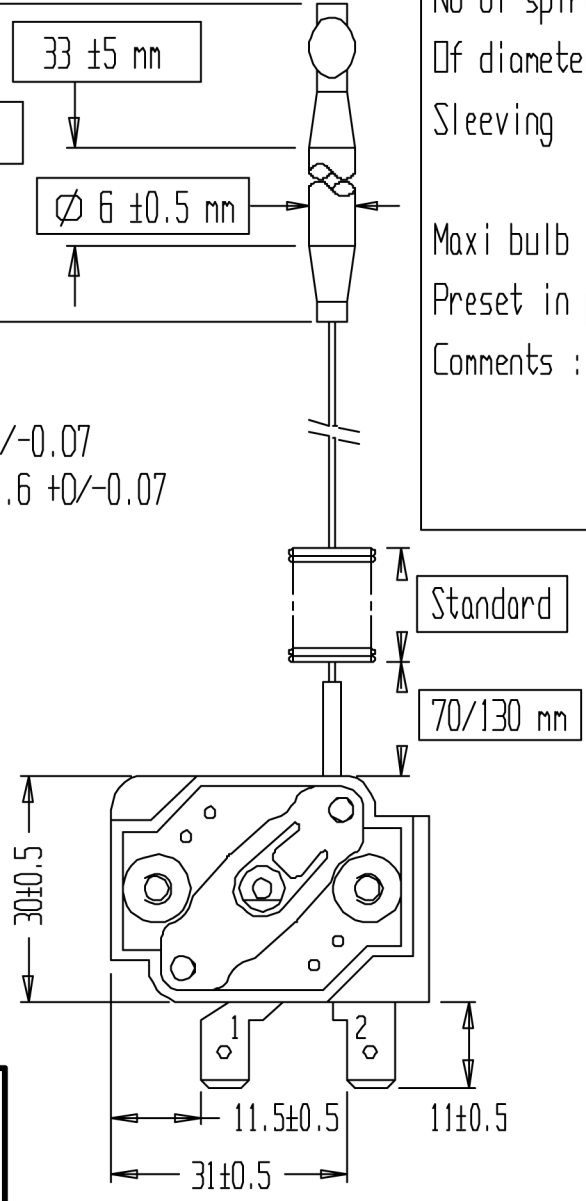
Preset in position : Z

Comments :

Spindle in min. position



Ø6 +0/-0.07  
Flat: 4.6 +0/-0.07



Standard

70/130 mm



Marking 1-2 AC 20A 240V  
ØF .....

NORMS: -Approvals BEAB: EN60730-2-9  
T 100  
1-2 20A 250V ~

REFER.	MODIFICATION	N°:	DATE	VISA	ACCEPTED ON	VISA
G.T.: ±	SAMPLE	DESIGNATION				
Scale : 1/1	N°:	-5 / 210 °C				
Drawn on :	by :	CUSTOMER			4005	
Approved on :	by :					