

	Angular Pos / BB	Regulation °C	Diff. °C
X	0	≈ 0	
Y			
Z	270	90 ± 6	Approx 6

Submerged cap. length = 50 mm

Terminals 6.3 x 0.8 mm

Bulb St/St COPPER

Capillary St/St COPPER

stem length 1520 ± 25mm

Sleeving

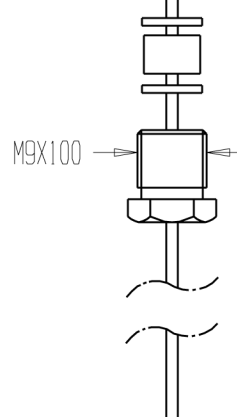
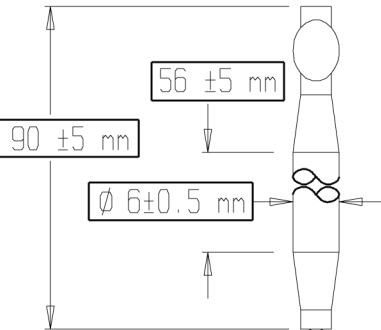
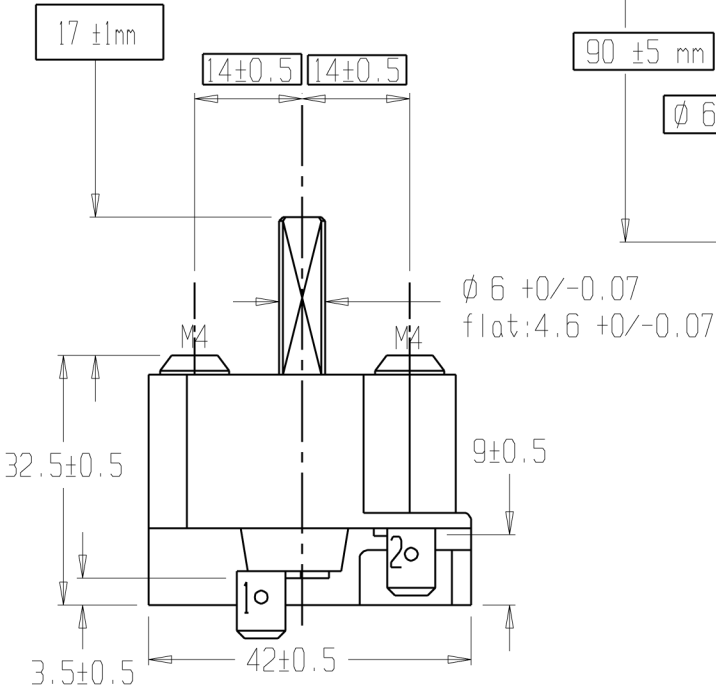
Maxi bulb temp. 156°C

Preset in position : Z

Standard packaging

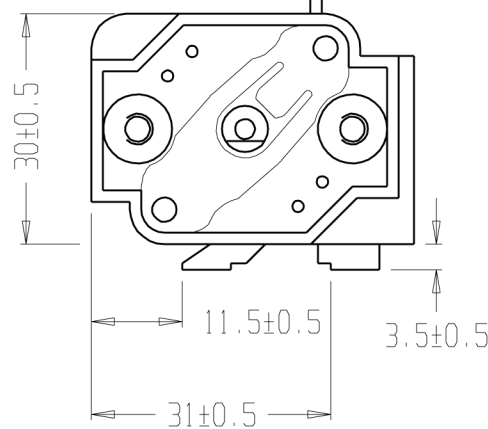
Comments :

spindle in min. position



Marking 1-2 AC 20A 250V
DF

NORMS: -Approvals BEAB:EN60730-1
EN60730-2-9
T 100
1-2 20A 250V ~
1-3 5A 250V ~



- Gland nut and washers : BRASS
- Joint : PTFE

REFER.	MODIFICATION	N°:	DATE	VISA	ACCEPTED ON	VISA
G.T.:	SAMPLE	DESIGNATION				
Scale : 1/1	N°: E -	0 / 90 °C				
Drawn on :	by :	CUSTOMER			4011	
Approved on :	by :					