

	Angular Pos / BB	Regulation °C	Diff. °C
X	0	OFF	
Y			
Z	270	240 ±9	Approx 12

Submerged cap. length = 50 mm

Terminals 6.3 x 0.8 mm

Bulb St/St COPPER

Capillary St/St COPPER

stem length 1160 ±25mm

Sleeving 850 ±25mm

Silicone PTFE PEr

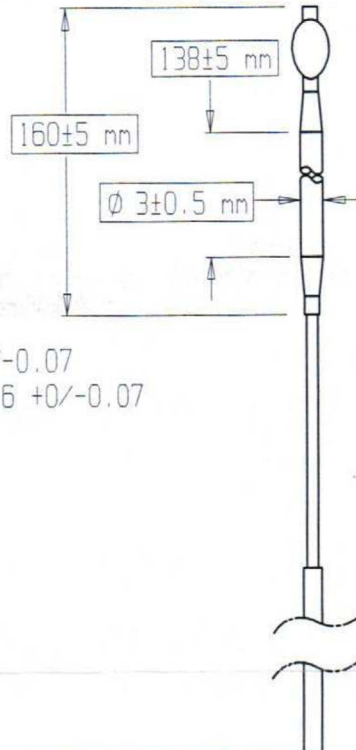
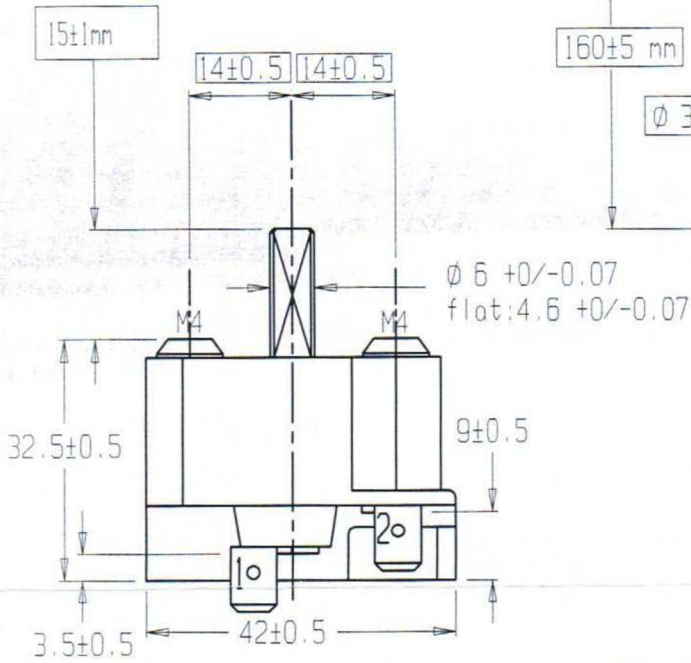
Maxi bulb temp. 391 °C

Preset in position : Z

Standard packaging

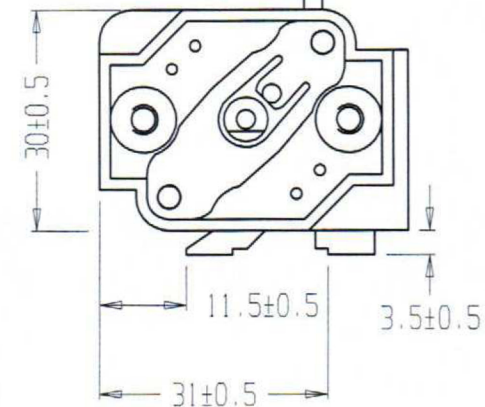
Comments :


spindle in min. position



Marking 1-2 AC 20A 250V

**NORMS:** -Approvals ENEC:EN60730-1  
 EN60730-2-9  
 T 120 / T 150  
 1-2 20A 250V ~  
 1-3 5A 250V ~



REFER.	MODIFICATION	N°:.....	DATE	VISA	ACCEPTED ON	VISA
G.T.:	SAMPLE	DESIGNATION				
Scale : 1/1	N°:	OFF / 240 °C				
Drawn on :	by :	CUSTOMER		4013		
Approved on :	by :					