

	Angular Pos / BB	Regulation °C	Diff. °C
X			
Y		240 ±10	
Z			

Submerged cap. length = 50 mm

Terminals 6.3 x 0.8 mm

Bulb St/St COPPER

Capillary St/St COPPER

stem length 643 ±25mm

Sleeving 200 ±25mm

Silicone PTFE PE

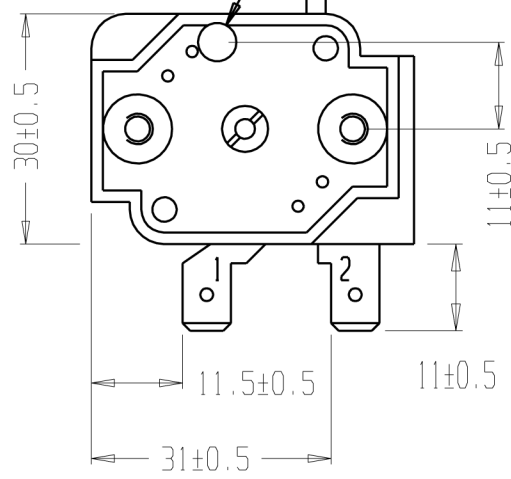
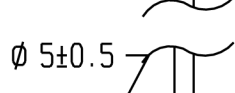
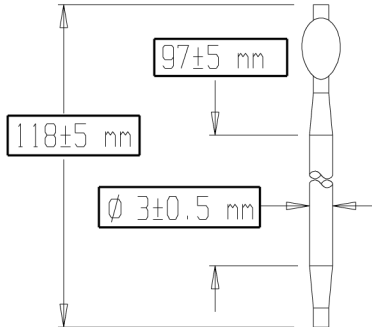
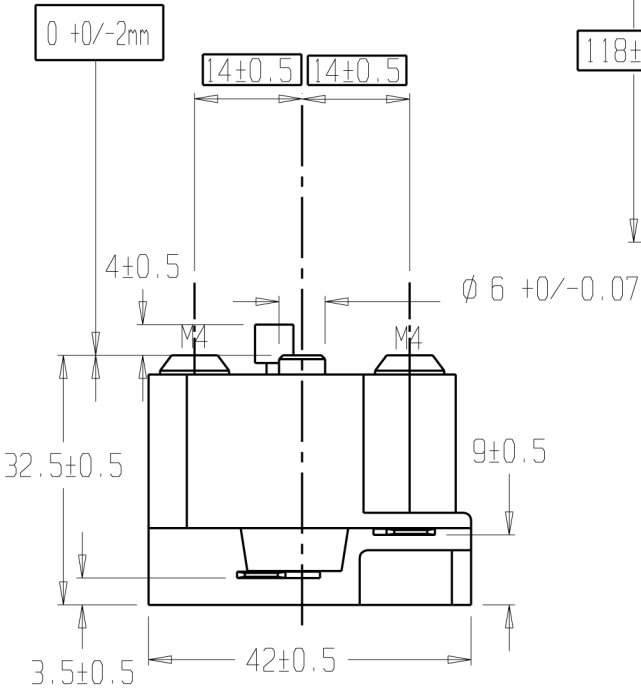
Maxi bulb temp. 280 °C

Preset in position : 240°C

Standard packaging

Comments :


spindle in min. position



Marking

1-2 AC 20A 250V
 240 C

NORMS: -Approvals BEAB:EN60730-1
 EN60730-2-9
 T 100
 1-2 20A 250V ~
 1-3 5A 250V ~

REFER.	MODIFICATION	N°:	DATE	VISA	ACCEPTED ON	VISA
G.T.:	SAMPLE	DESIGNATION				
Scale : 1/1	N°: E -	FIXE 240 °C				
Drawn on :	by :	<div style="font-size: 2em; font-weight: bold;">4039</div>				
Approved on :	by :					