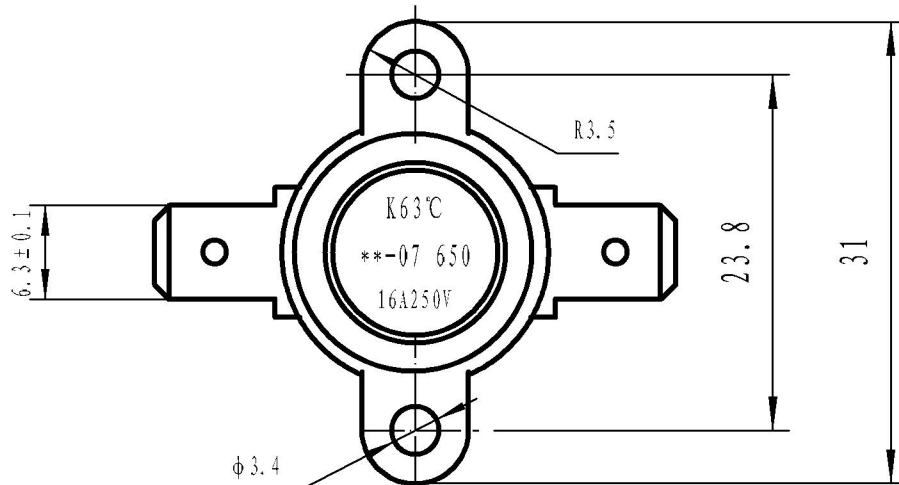
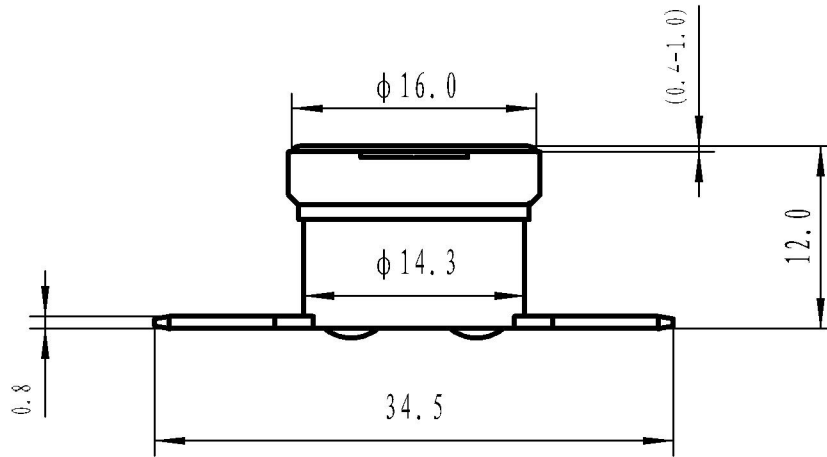
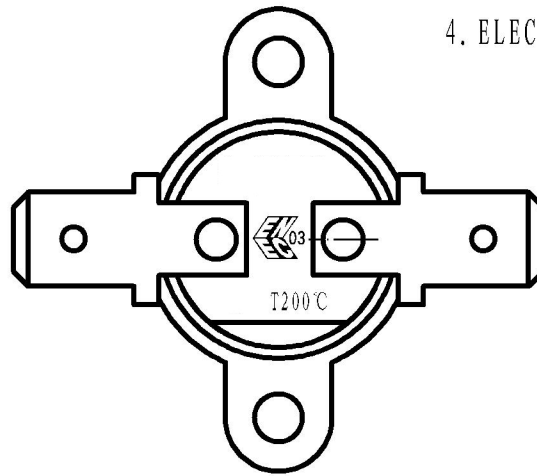


NOTE

- 1. OPEN TEMP: $63 \pm 4^{\circ}\text{C}$ (SWITCH ON);
- 2. CLOSE TEMP: $53 \pm 5^{\circ}\text{C}$ (SWITCH OFF);
- 3. CONTACT RESISTANCE: $\leq 50\text{m}\Omega$;
- 4. ELECTRICAL RATINGS: 16A AT 250VAC





6400

Scale	Date

Series Bimetallic Thermostat