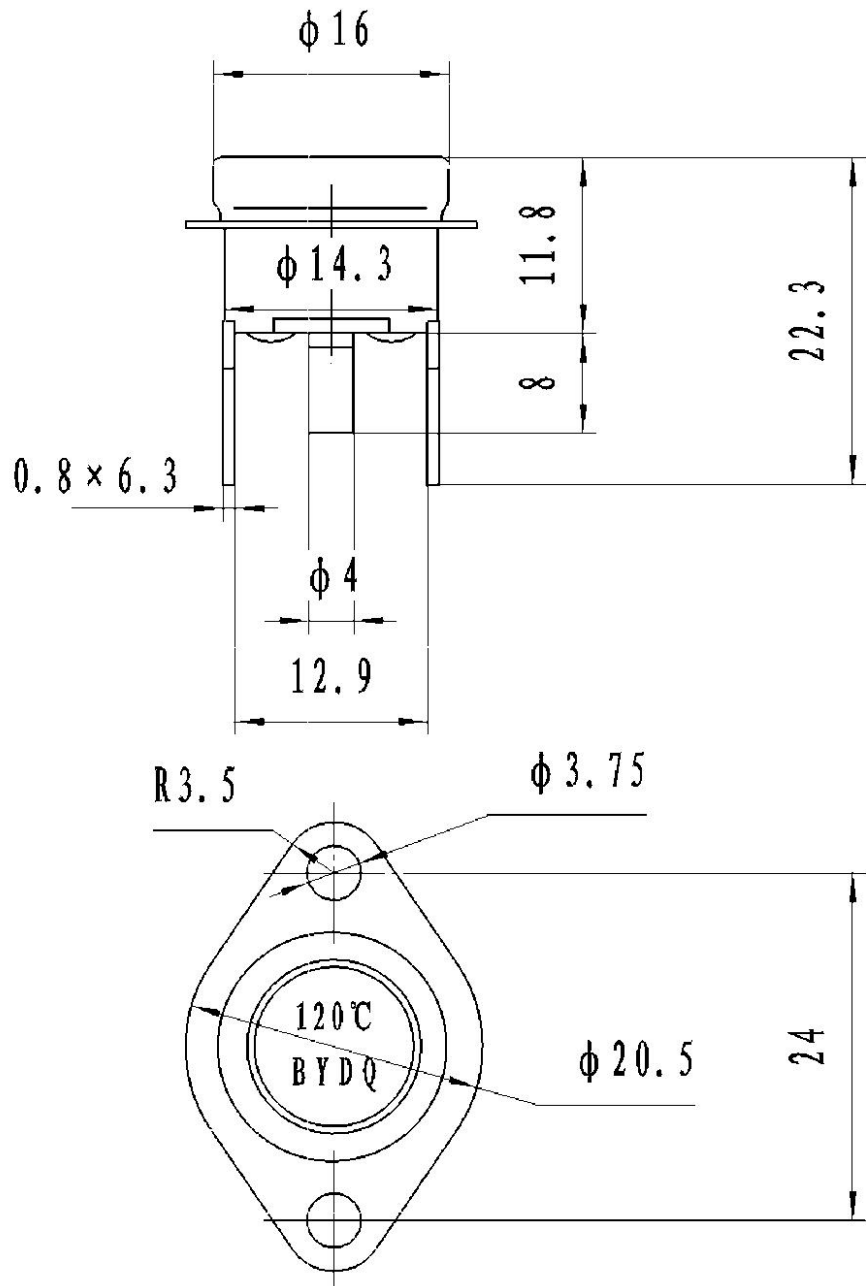


# NOTE

1. ACTION TEMP.:  $120 \pm 3^{\circ}\text{C}$  (SWITCH OFF);
2. RESET TEMP.: MANUAL RESET (SWITCH ON)
3. CONTACT RESISTANCE:  $\leq 50\text{m}\Omega$ ;
4. ELECTRICAL RATINGS: 10A AT 250VAC






6413
