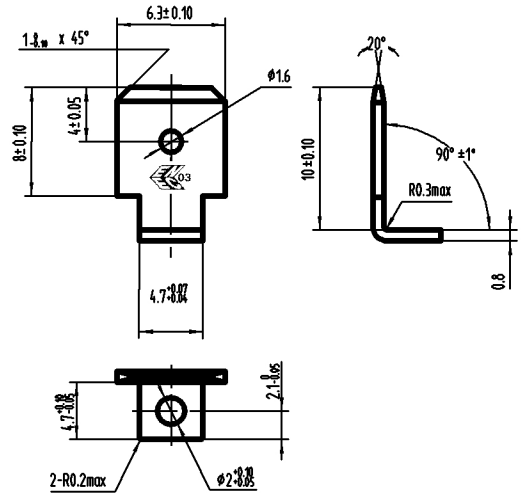


NOTE

1. OPEN TEMP.:  $75 \pm 3^{\circ}\text{C}$  (SWITCH OFF);
2. CLOSE TEMP.: Manual  $\leq -20^{\circ}\text{C}$  (SWITCH ON)
3. CONTACT RESISTANCE:  $\leq 50\text{m}\Omega$ ;
4. ELECTRICAL RATINGS: 16A AT 250VAC






6445

Revision		Scale	
			2:1

Series Bimetallic Thermostat