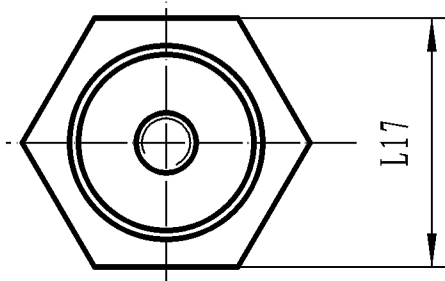
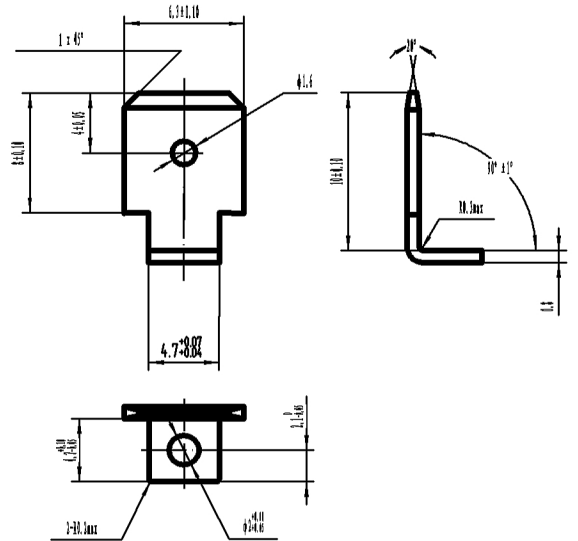
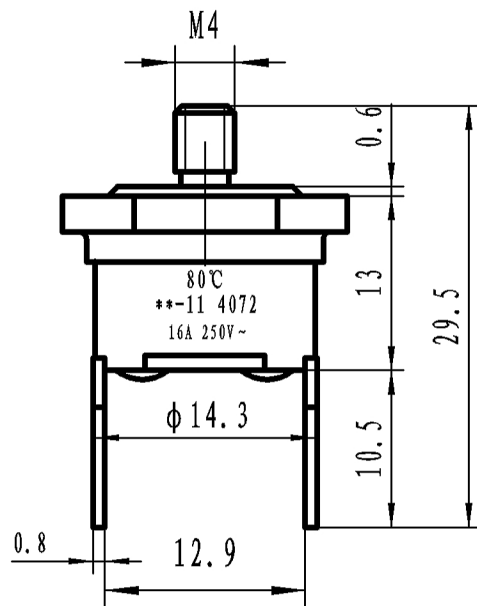
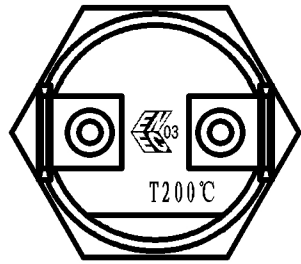


# NOTE

1. OPEN TEMP. :  $80 \pm 3^{\circ}\text{C}$  (SWITCH OFF);
2. CLOSE TEMP. :  $70 \pm 4^{\circ}\text{C}$  (SWITCH ON);
3. CONTACT RESISTANCE:  $\leq 50\text{m}\Omega$ ;
4. ELECTRICAL RATINGS: 16A AT 250VAC






6446

Revision		Scale	
		2 : 1	

Bimetallic Thermostat