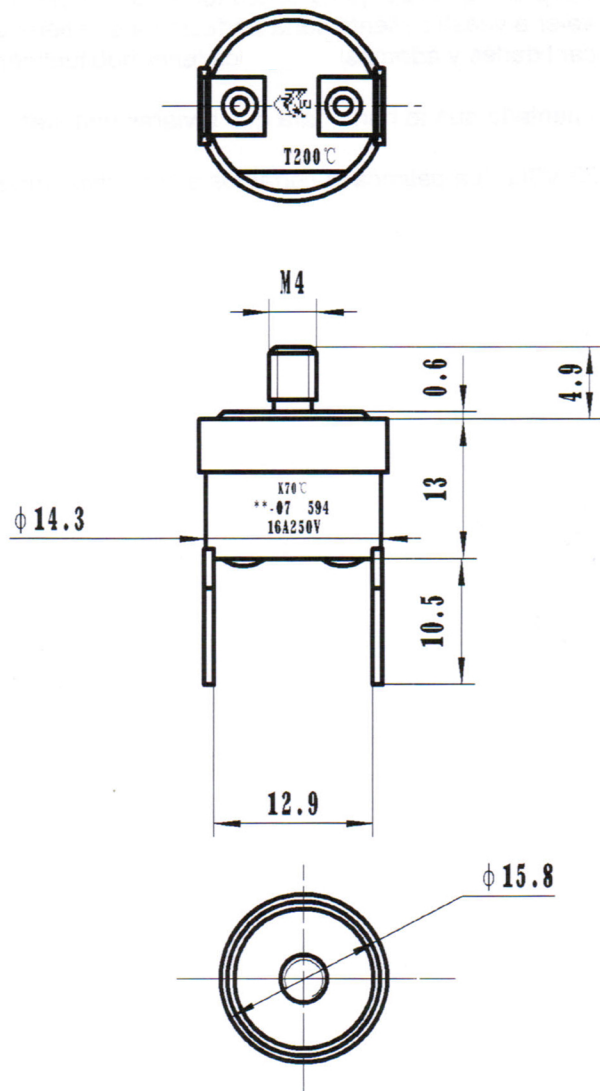


**NOTE**

- 1. ACTION TEMP.:  $70 \pm 5^\circ\text{C}$  (SWITCH ON);
- 2. RESET TEMP.:  $50 \pm 3^\circ\text{C}$  (SWITCH OFF)
- 3. CONTACT RESISTANCE:  $\leq 50\text{m}\Omega$ ;
- 4. ELECTRICAL RATINGS: 16A AT 250VAC






**6449**

	scale	date
	2:1	

**Series Bimetallic Thermostat**