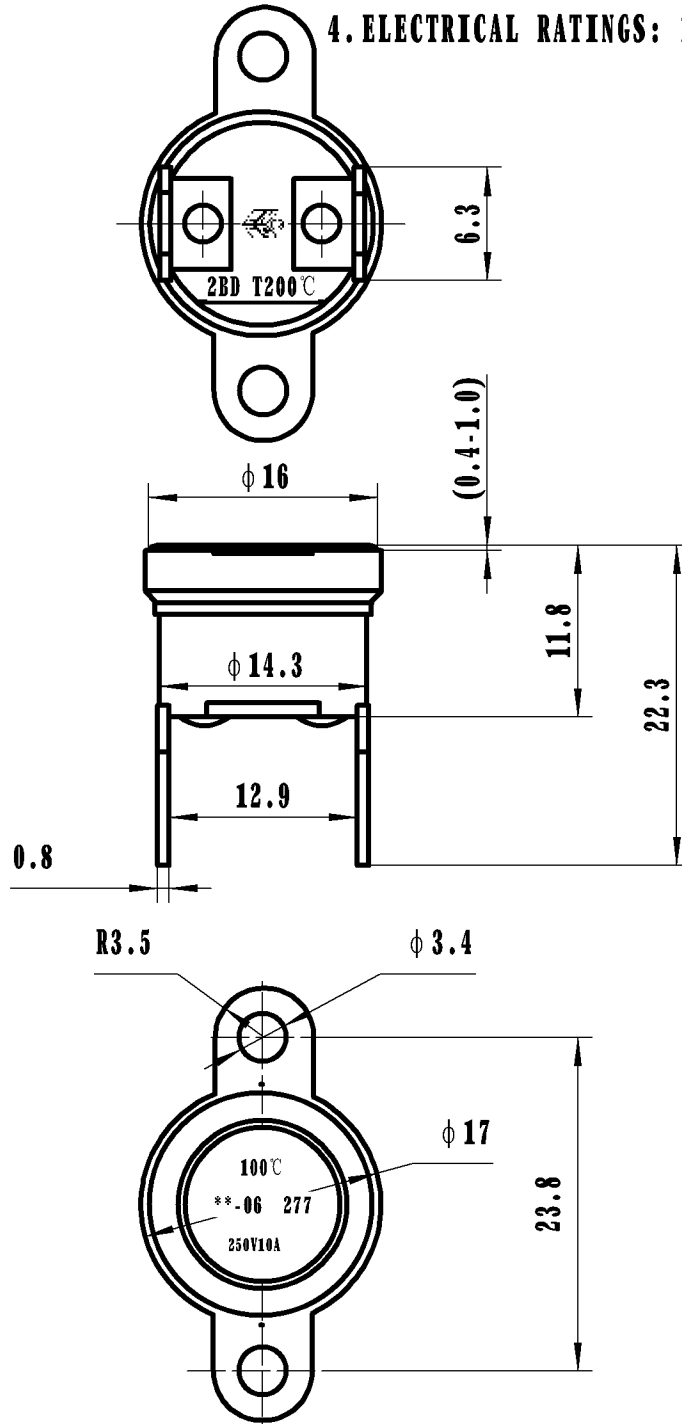


NOTE

- 1. ACTION TEMP.: $100 \pm 3^{\circ}\text{C}$ (SWITCH OFF);
- 2. RESET TEMP.: $60 \pm 6.5^{\circ}\text{C}$ (SWITCH ON)
- 3. CONTACT RESISTANCE: $\leq 50\text{m}\Omega$;
- 4. ELECTRICAL RATINGS: 10A AT 250VAC





9599

				Scale
				2:1

Series Bimetallic Thermostat