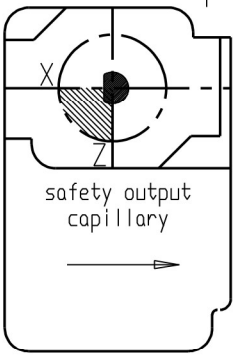


MO3

Spindle in min. position

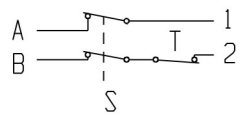


	Angular Pos / BB	Regulation °C	Diff. °C
X	0	12 ±5	
Y	104 / 178	≈ 40 / ≈ 60	
Z	270	81 ±4	Approx 4
SAFETY			
Temp.(°C):		110 0/-12°C	

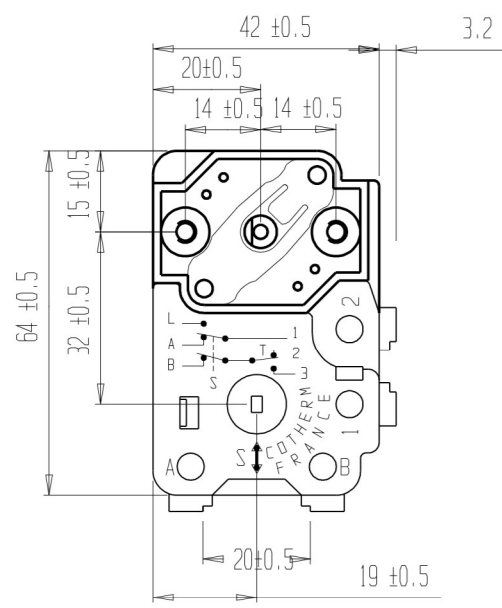
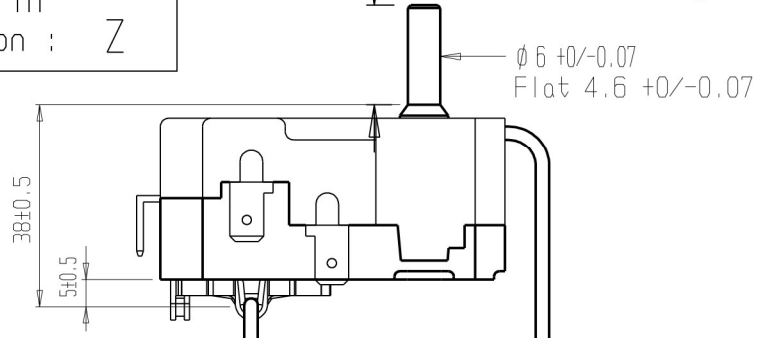
	REGULATION	SAFETY
Bulb	COPPER	COPPER
Capillary	COPPER	COPPER
Length Sten	742 ±25mm	625 ±25mm
Sleeving	600 ±25 mm	400 ±25mm
PEr		
Maxi bulb temp.	145 °C	150 °C

Preset in position : Z

23 ±1mm

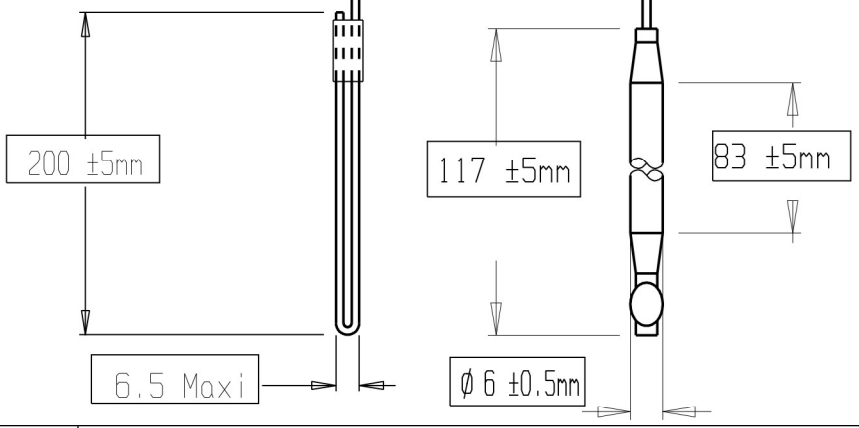


Standard packaging			
Terminals			
1	AMP 90° 6.3 X 0.8	A	AMP 90° 6.3 X 0.8
2		B	



Marking

COTHERM
BBSC0055
S 110°C -12K



Comments :

NORMS: -Approvals ENEC:EN60730-1
EN60730-2-9
T 100
20A (A-1;B-2)/ 250V~
16A (A-1;B-2)/ 400V~

9	Norms update	17/02/15	SPD	18/02/15	D.R
REFER.	MODIFICATION	N°:M13116	DATE	VISA	ACCEPTED ON
G.T.: ±	SAMPLE	DESIGNATION			
Scale : 2/3	N°:	BBSC 12 / 81 °C Safety 110 °C			
Drawed on : 20/06/00		by : DA		A3392	
Approved on : 20/06/00		by : BR			

THIS DRAWING IS THE EXCLUSIVE PROPERTY OF COTHERM COMPANY AND MUST NOT BE COPIED OR TRANSMITTED TO THIRD PARTIES